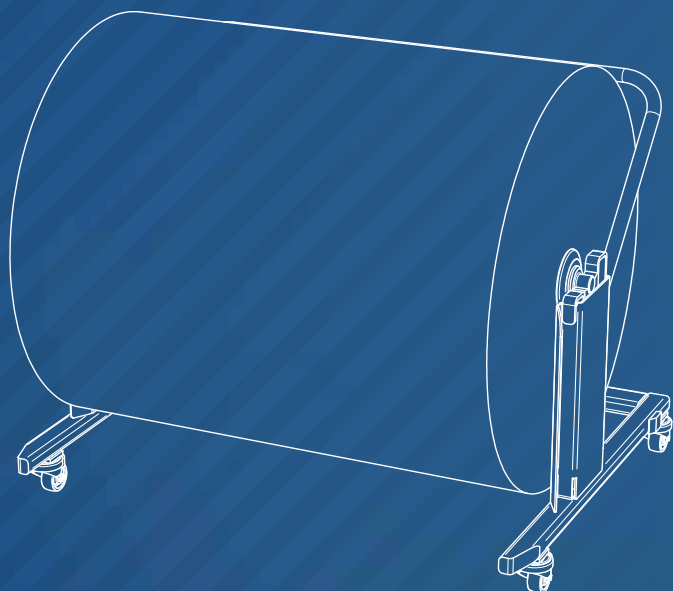
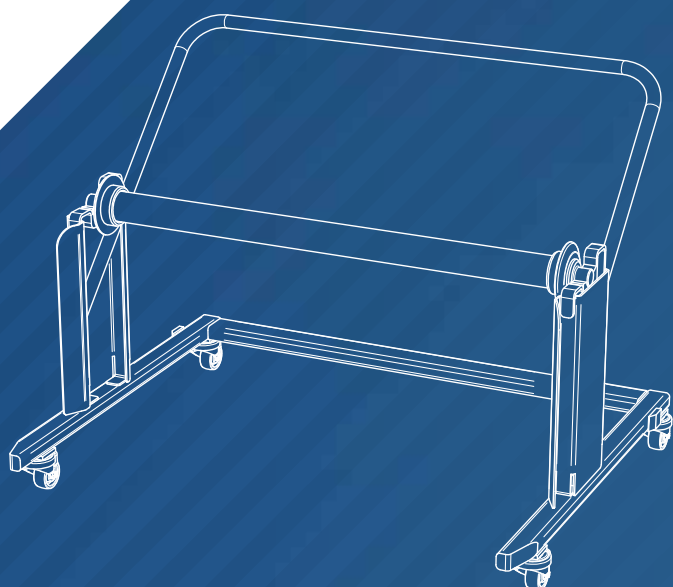




TROLLEY | 800 & 1200

ROLL HOLDER TROLLEY
Simplification & anticipation of the roll changeover



Separate accessory to help reducing the changeover time of the paper rolls onto the EXCALIBUR sheeter.

Before bringing the trolley & the roll onto the EXCALIBUR, the operator can carry out the following operations:

- ▶ Unwrapping the roll
- ▶ Inserting the unwinding shaft inside the core of the roll
- ▶ Loading the roll onto the trolley
- ▶ Removing the pallet

TECHNICAL SPECIFICATIONS

ROLL WIDTH	800	1200
Package including	1 trolley with 4 reels, 1 unwinding shaft & 2 flanges	
Gross Weight (trolley only)	44 kg	48 kg
Weight of shaft	10 kg	14 kg
Weight of 1 flange	1.6 kg	1.6 kg
Flanges diameter	100 or 150 mm	100 or 150 mm
Roll diameter	1000 mm	1000 mm
Maximum load capacity	800 kg	800 kg
Option : trolley for uneven floors	yes	yes
Option : two side-handling trolley	yes	yes



TECHNICOAT
Solution

solution@cgp-coating.com - www.cgp-coating.com

